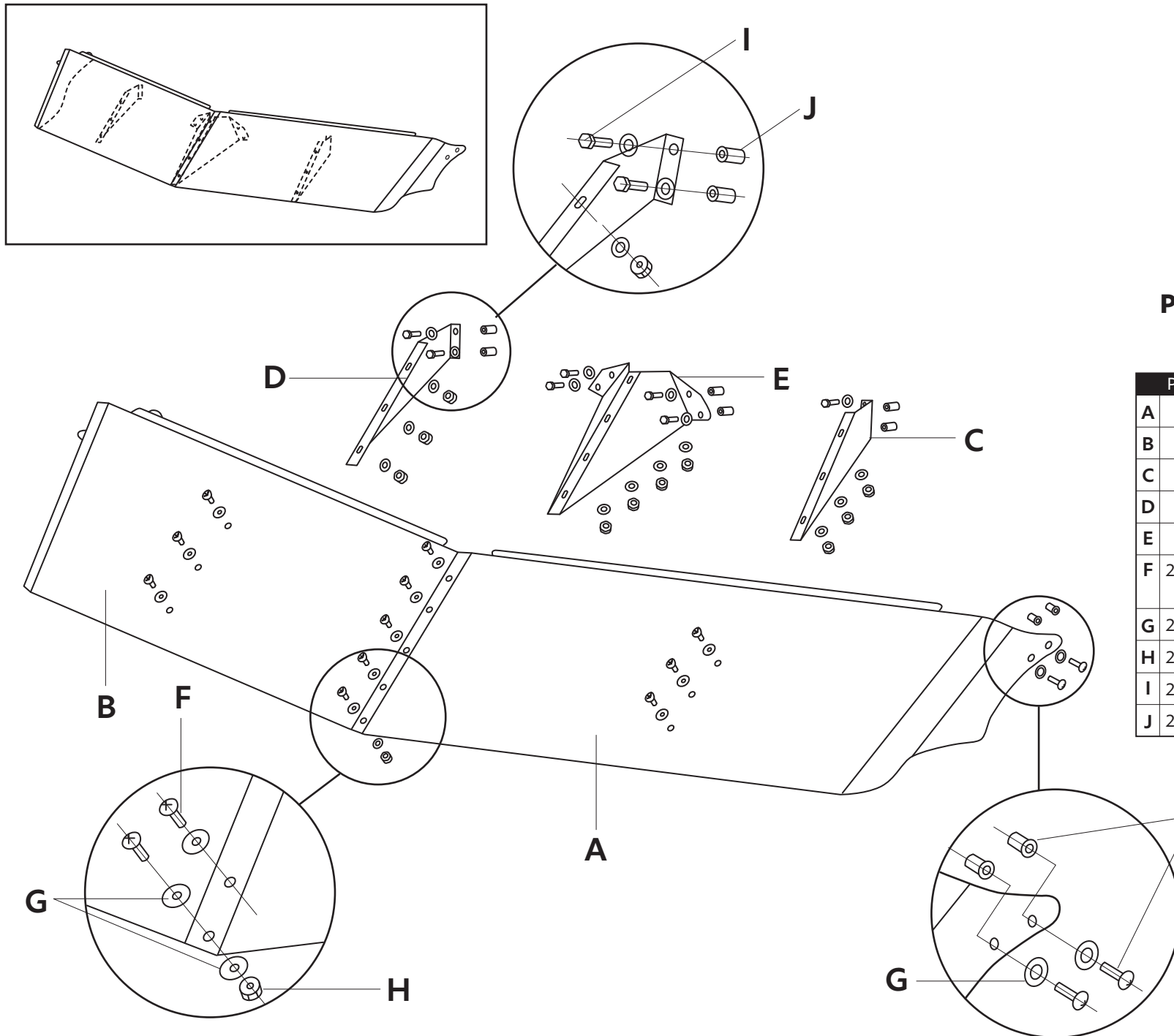




United Pacific

**LOW ROOF
FOR 1987-2003
PETERBILT 379/385/357**

Item Number: 28006



PART #	COMPONENTS	QTY
A	Driver Visor	1
B	Passenger Visor	1
C	Driver Bracket	1
D	Passenger Bracket	1
E	Center Bracket	1
F	28006-1 Truss HD. Screw 1/4NC x 3/4"	12
G	28006-2 Flat Washer 1/4	34
H	28006-4 Hex. Nut 1/4NC	12
I	28006-5 Hex. Bolt 1/4NC x 1 1/4"	8
J	28006-6 Well Nut 1/4NC	8

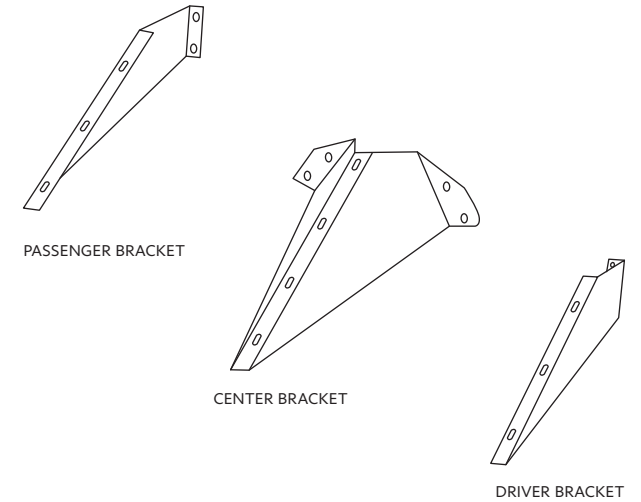
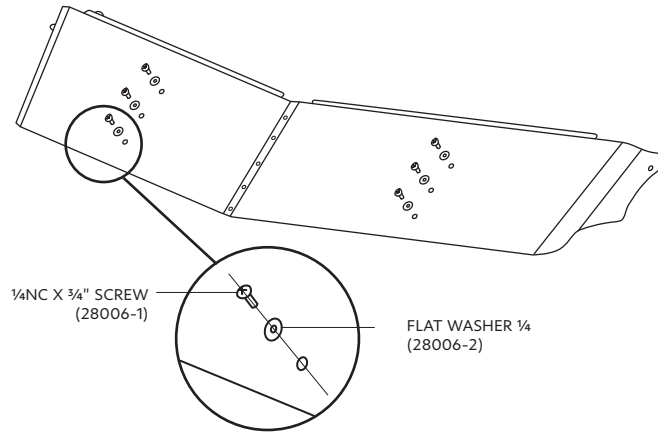
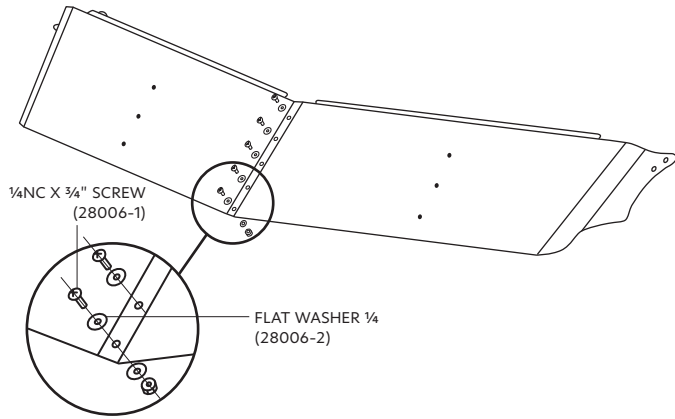
**USE ORIGINAL
HARDWARE**

INSTALLATION INSTRUCTION Item Number: 28006

1. Remove original factory sun visor and brackets. Attach the left and right visor. Fasten the 2 halves together with the 1/4NC x 3/4" screw.

2. Feed the 1/4NC x 3/4" screw through the six remaining openings.

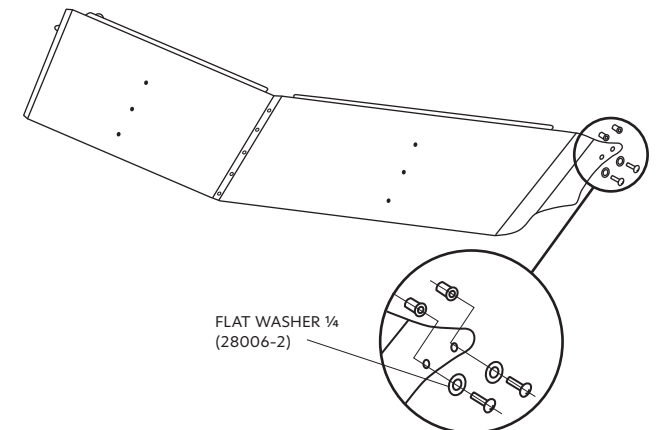
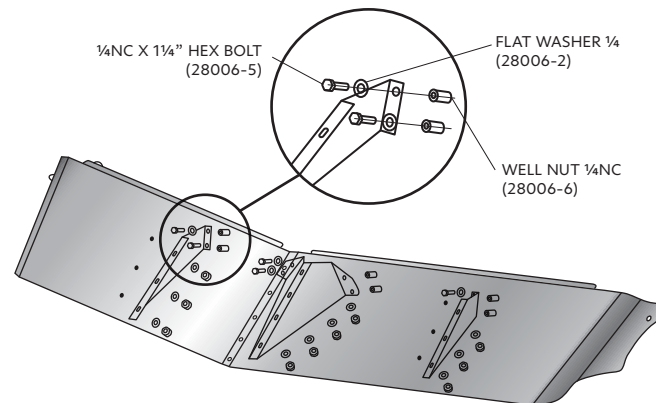
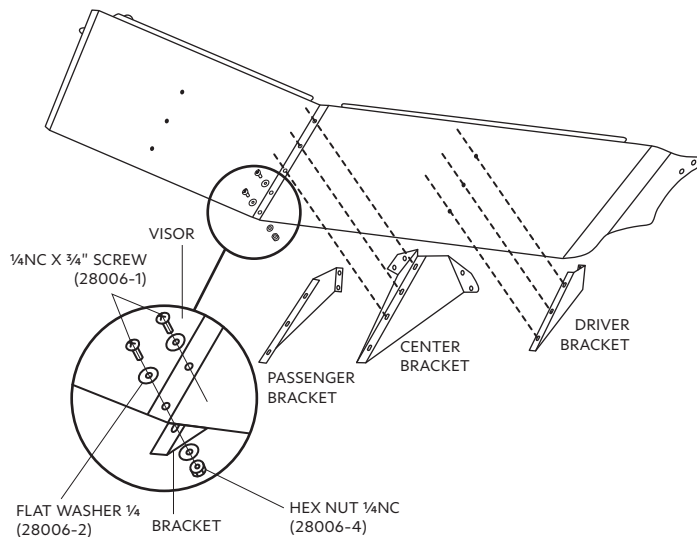
3. Attach the 3 supporting brackets to the sun visor. Please take note for each brackets position.



4. Fasten each screw to the bracket with a 1/4 flat washer and 1/4 hex nut on the back side of the bracket.

5. Attach the brackets to the cab with the 1/4NC x 1 1/4" hex bolt. Feed the 1/4NC x 1 1/4" hex bolt and a 1/4 flat washer through each hole of the bracket. Fasten the hex bolts with the 1/4NC well nut on the back.

6. Fasten the sides of the sun visor to the cab with original screws. Feed the original screws and 1/4 flat washer through each of the 4 holes. Tighten with the original well nuts.



* Depending on the year of the truck, holes may need to be drilled on the front of the cab for proper installation