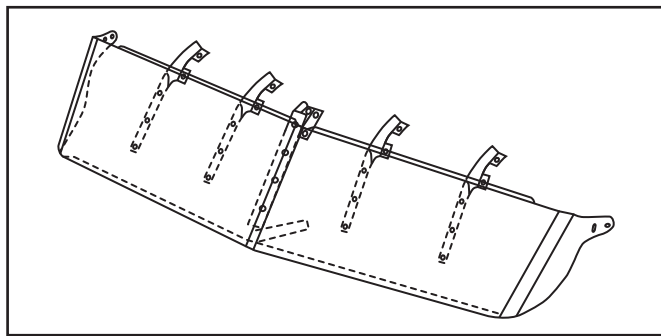




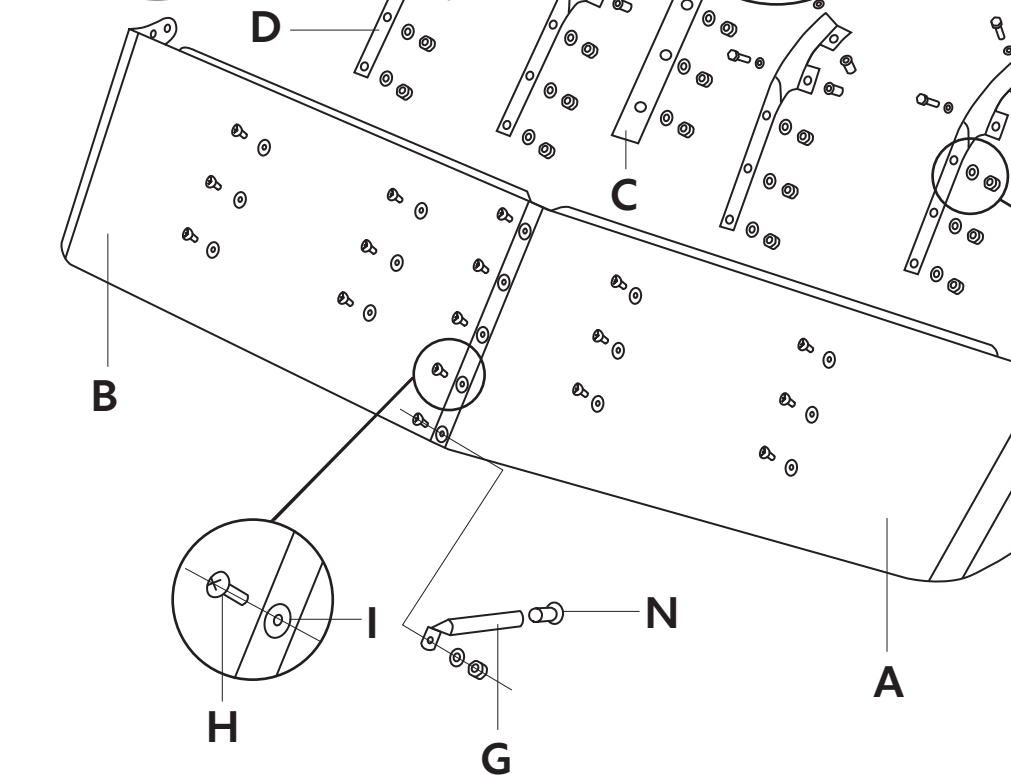
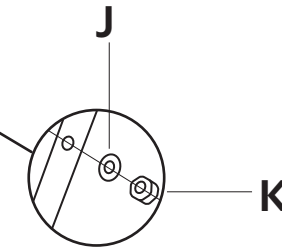
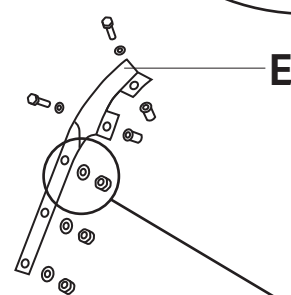
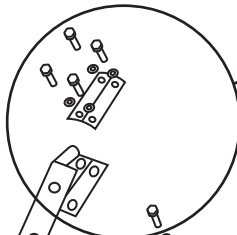
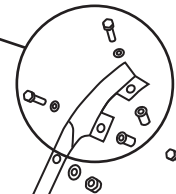
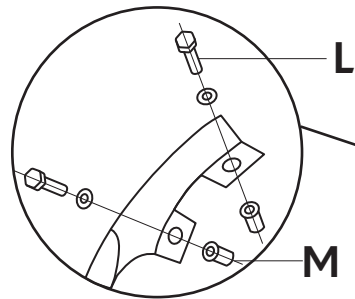
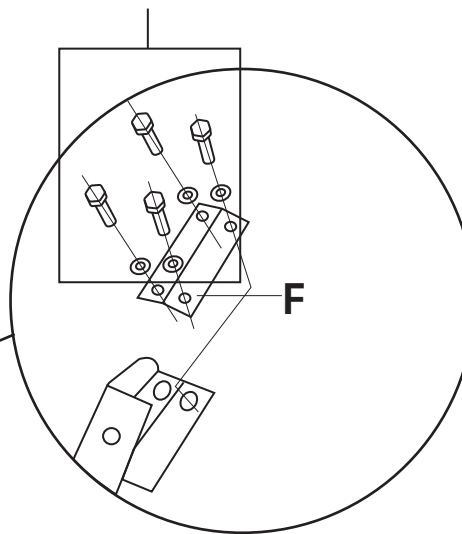
United Pacific

**CURVED WINDSHIELD
FOR 1989+
KENWORTH W900L/W900B/T800**

Item Number: 28013



ORIGINAL SUNVISOR
HARDWARE

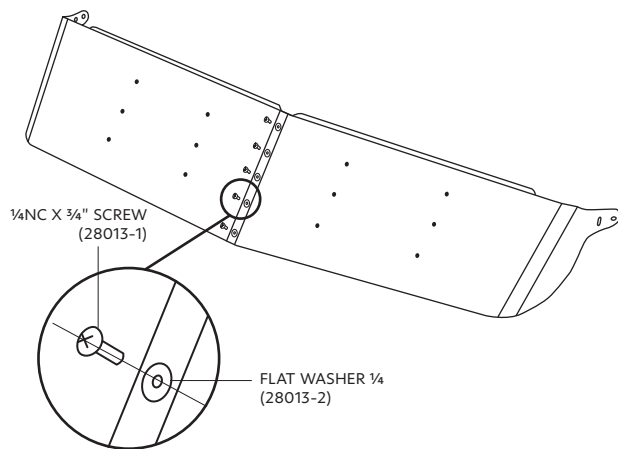


USE ORIGINAL
HARDWARE

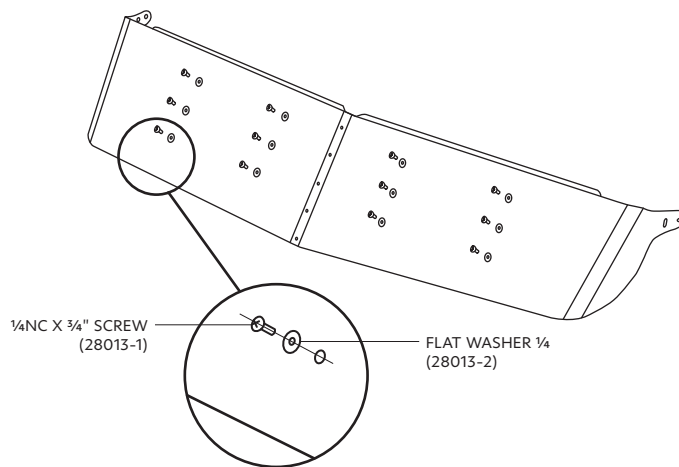
PART #	COMPONENTS	QTY
A	Driver Visor	1
B	Passenger Visor	1
C	Center Bracket	1
D	Passenger Bracket	2
E	Driver Bracket	2
F	Back Bracket	1
G	Front Bracket	1
H	28013-1 Truss HD. Screw 1/4NC x 3/4"	17
I	28013-2 Flat Washer 1/4	17
J	28013-3 Lock Washer 1/4	25
K	28013-4 Hex. Nut 1/4NC	17
L	28013-5 Hex. Bolt 1/4NC x 1 1/4"	8
M	28013-6 Well Nut 1/4NC	8
N	Crutch Tip	1

INSTALLATION INSTRUCTION Item Number: 28013

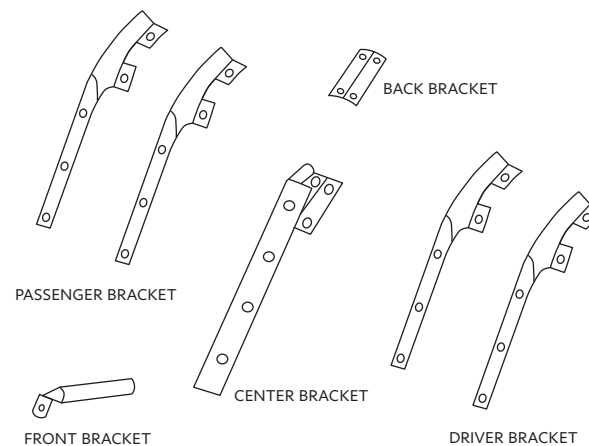
1. Remove original factory sun visor and brackets. Attach the left and right visor. Fasten the 2 halves together with the 1/4NC x 3/4" screw.



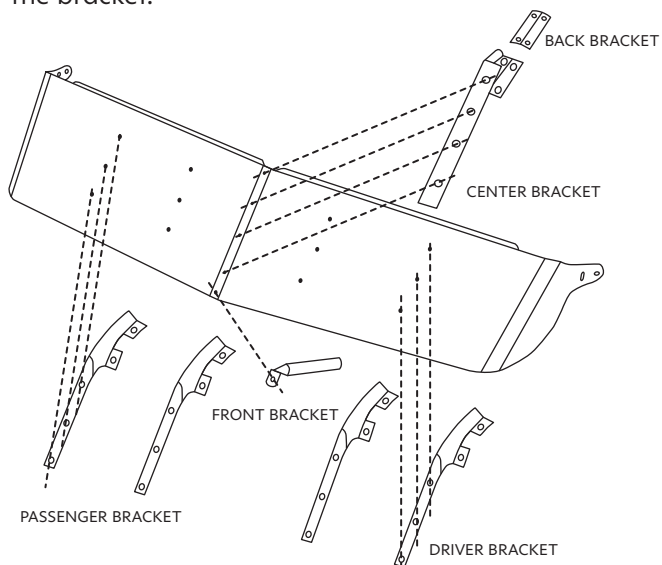
2. Feed the 1/4NC x 3/4" screw through the twelve remaining openings.



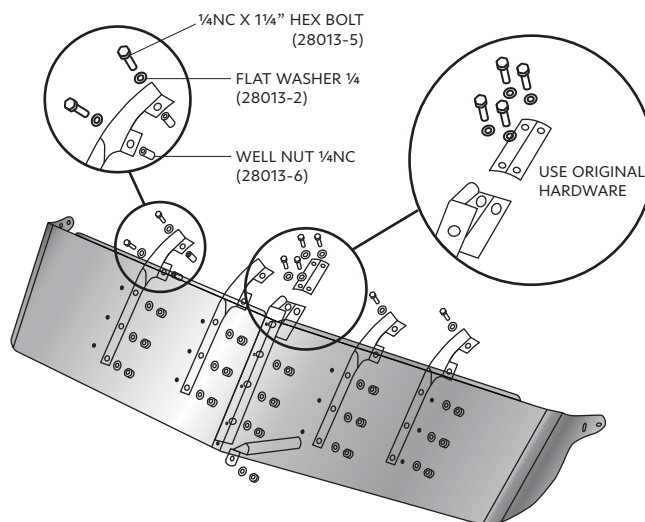
3. Attach the supporting brackets to the sun visor. Please take note for each brackets position.



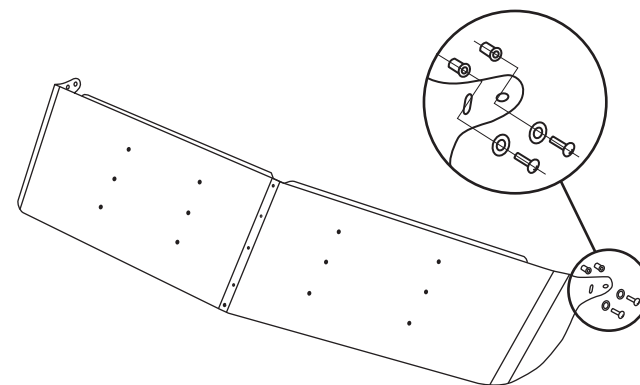
4. Fasten each screw to all brackets with a 1/4 lock washer and 1/4 hex nut on the back side of the bracket.



5. Attach the brackets to the cab with the 1/4NC x 1 1/4" hex bolt. Feed the 1/4NC x 1 1/4" hex bolt and a 1/4 flat washer through each hole of the bracket. Fasten the hex bolts with the 1/4NC well nut on the back.



6. Fasten the sides of the sun visor to the cab with the original sunvisor hardware. Feed the screw and flat washer through each of the 4 holes. Tighten with the original well nuts.



* Depending on the year of the truck, holes may need to be drilled on the front of the cab for proper installation