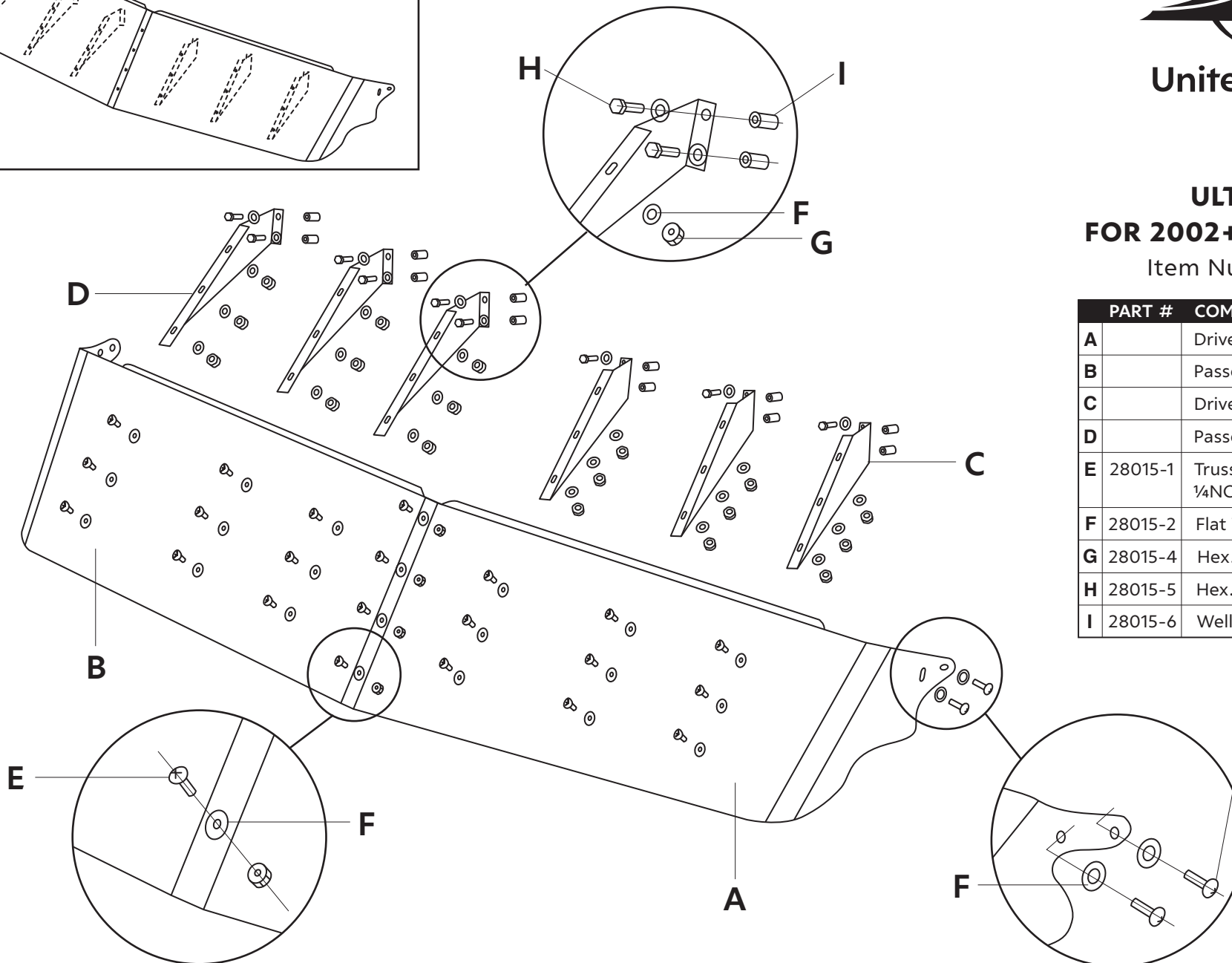
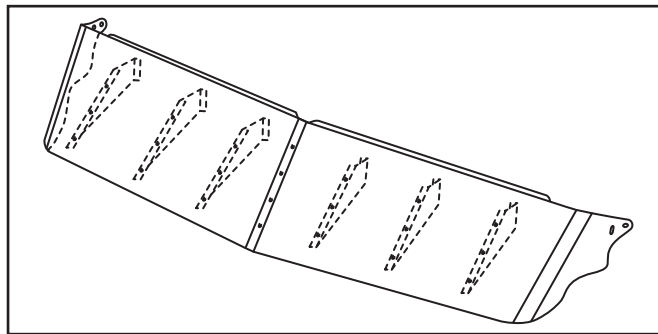




United Pacific

**ULTRA CAB
FOR 2002+ PETERBILT 379**

Item Number: 28015

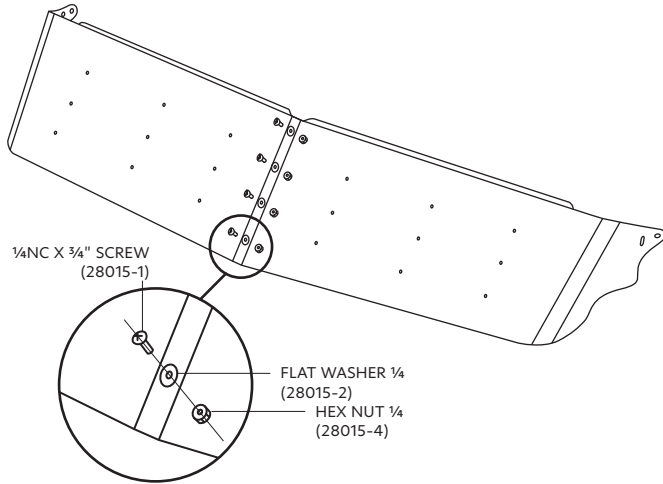


PART #	COMPONENTS	QTY
A	Driver Visor	1
B	Passenger Visor	1
C	Driver Bracket	3
D	Passenger Bracket	3
E 28015-1	Truss HD. Screw 1/4NC x 3/4"	22
F 28015-2	Flat Washer 1/4	60
G 28015-4	Hex. Nut 1/4NC	22
H 28015-5	Hex. Bolt 1/4NC x 1 1/4"	12
I 28015-6	Well Nut 1/4NC	12

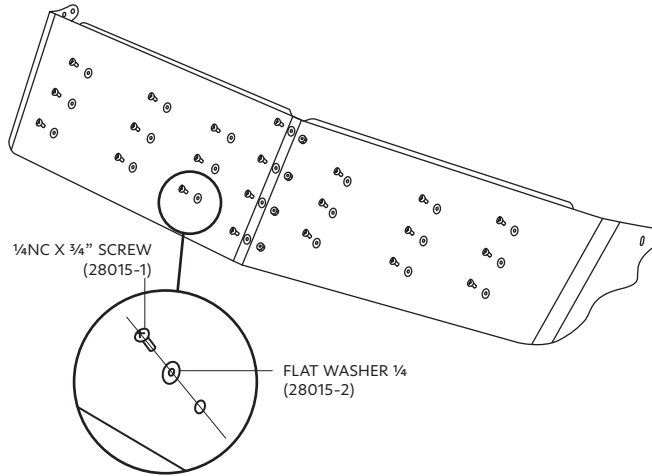
**USE ORIGINAL
HARDWARE**

INSTALLATION INSTRUCTION Item Number: 28015

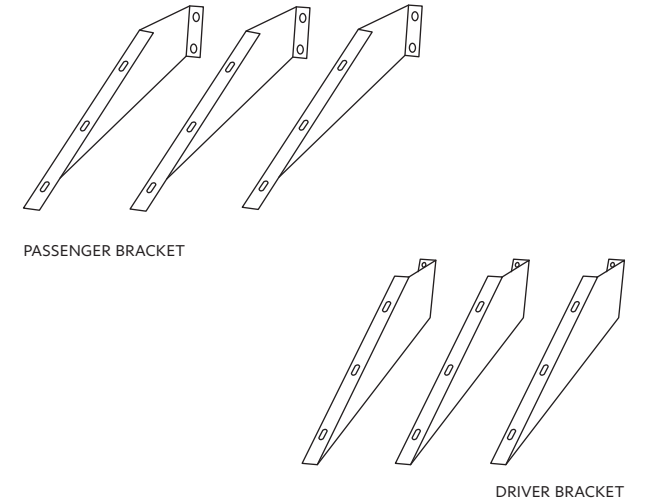
1. Remove original factory sun visor and brackets. Attach the left and right visor. Fasten the 2 halves together with the 1/4NC x 3/4" screw.



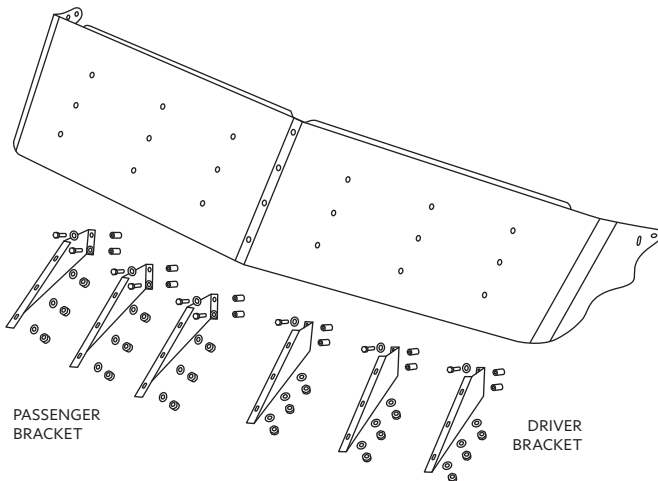
2. Feed the 1/4NC x 3/4" screw through the eighteen remaining openings.



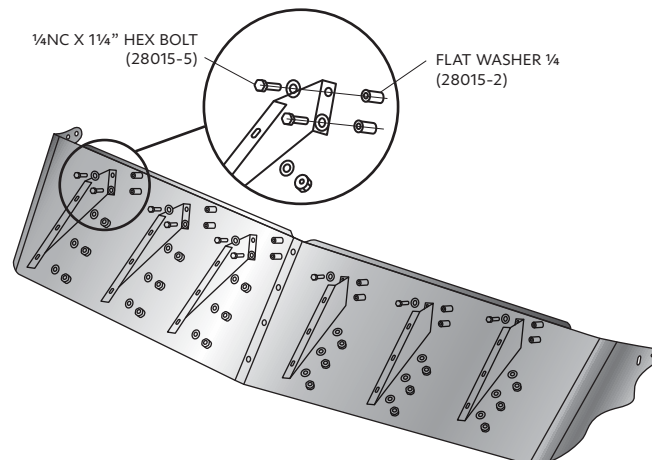
3. Attach the 6 supporting brackets to the sun visor. Please take note for each brackets position.



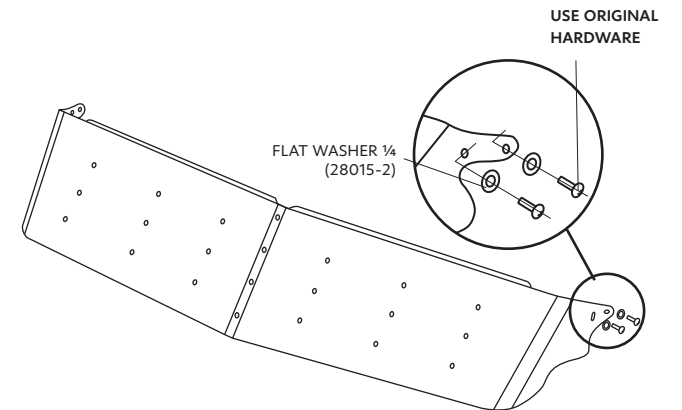
4. Fasten each screw to the bracket with a 1/4 hex nut on the back side of the bracket.



5. Attach the brackets to the cab with the 1/4NC x 1 1/4" hex bolt. Feed the 1/4NC x 1 1/4" hex bolt and a 1/4 flat washer through each hole of the bracket. Fasten the hex bolts with the 1/4NC well nut on the back.



6. Fasten the sides of the sun visor to the cab with the original screws. Feed the original screws and 1/4 flat washer through each of the 4 holes. Tighten with the original well nuts.



* Depending on the year of the truck, holes may need to be drilled on the front of the cab for proper installation