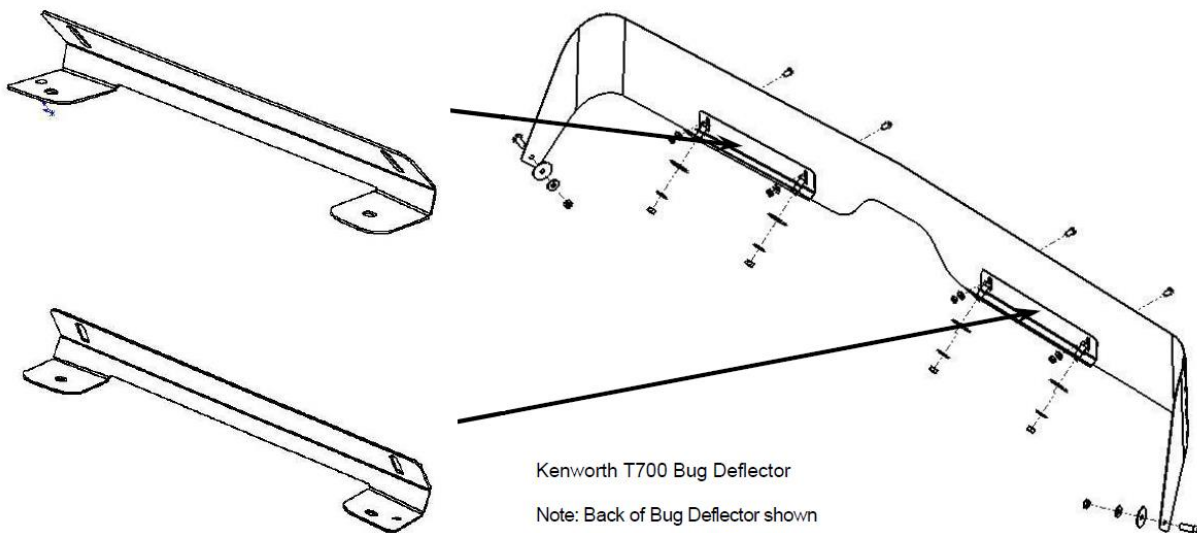


Stainless Steel Accessories

KENWORTH T700, 2011 BUG DEFLECTOR installation instructions

11/19/2020

1. Pull back plastic coating from the bottom edge of the Bug Deflector approximately $\frac{1}{2}$ "
2. Remove Plastic coating around all bolt holes.
3. Attach both brackets with slots to the backside of the Bug Deflector. Ensure that brackets are on the correct side of the Deflector. Do not tighten 10-32 screws with locknuts all the way. Allow brackets to slide freely.



4. Install rubber channel to bottom edge to protect from scratching.
5. Place Bug Deflector on hood directly behind grill bezel or grab handle (on some models designed without grill bezels). Hold Bug Deflector in desired position, making sure the Bug Deflector is centered on hood, and parallel with grill.
6. Mark all four holes through the brackets and two end holes onto the hood.
7. Set aside Bug Deflector.
8. Drill $\frac{25}{64}$ " holes into hood using the supplied drill bit (pilot holes are recommended) and attach brackets after the $\frac{1}{4}$ " nutserts have been installed.
9. Tilt hood to forward position.
10. Pull bug deflector ends tight against hood and attach remaining screws, nuts, and washers.
11. Tighten the four small screws ($10-32 \times 1/2$ ") on the face of the Bug Deflector, and remove remaining plastic coating.



Page 1 of 1

11192020

Reliable. Hardworking. Quality Products.