

JB106⁺

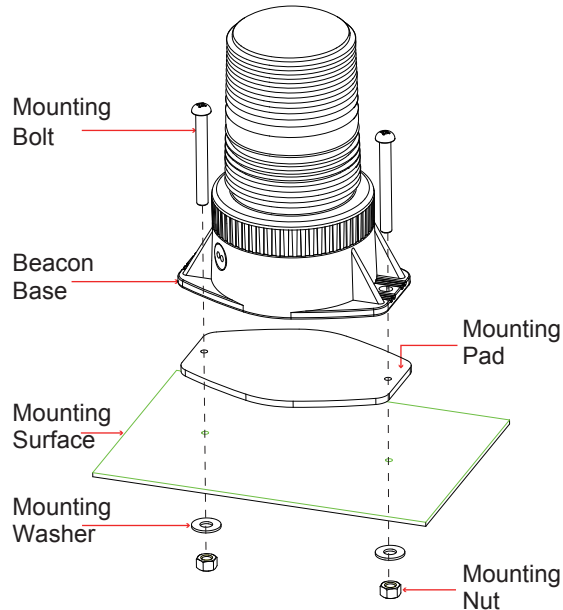
SAE Class 2 LED Beacon

WIRING

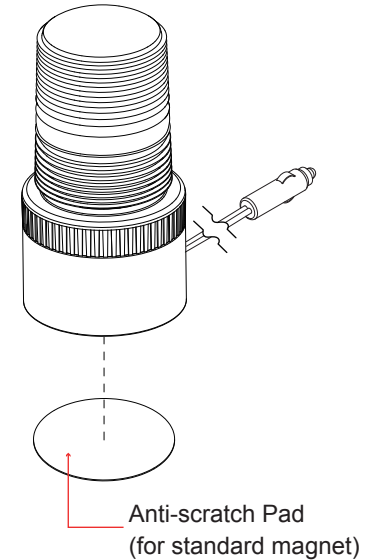
RED: To +VDC

BLACK: To Chassis Ground (-)

2 Bolt Mount



Magnetic Mount



FP#	FLASH PATTERNS
1	8 Flash