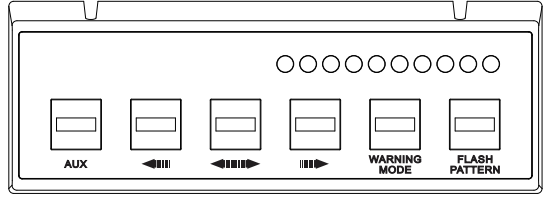


# Multi-purpose 6-switches Control Panel



## Wiring

- RED** ..... to +VDC
- BLACK** ..... to -GND
- WHITE** ..... to LED Indicator Signal (Traffic Arrow or Lightbar)
- GREEN** ..... AUX (Output signal for optional relay) [ON/OFF Switch]
- ORANGE** ..... Left Arrow [ON/OFF Switch]
- BLUE** ..... Right Arrow [ON/OFF Switch]
- BROWN** ..... Warning Mode [ON/OFF Switch]
- YELLOW** ..... Flash Pattern [Momentary Switch]

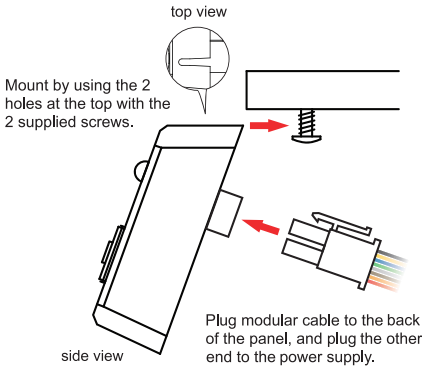
## Switch Specification

- Input Voltage: 10~30 VDC
- Input Current: 0.2A / port  
1.0A / 6 port
- Output Voltage: 10~24 VDC
- Output Current: 0.2A x 1 port (AUX) ;  
0.01A x 5 ports
- Fuse Rating: 2A

## Recommended Relay Specification (User-supplied)

- Input Voltage: 10~24 VDC
- Input Current: < 200mA

## Screw Mount Installation



**NOTE:** Connect only the RED and BLACK wires to the power supply wiring harness.

## Console Mount Installation

