







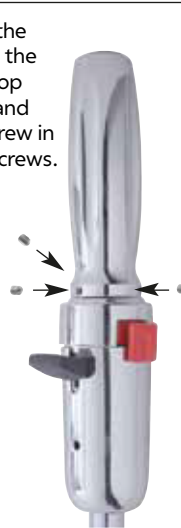



GEARSHIFT KNOB Mounting Instruction






Gearshift Knob - Horizontal Mount

| | | |
|---|---|---|
| <p>1. Remove screws and gearshift knob off OE gearshift. Be careful not to lose any components from the inside of the OE gearshift.</p>  | <p>2. Unscrew the 2 large vertical mounted hex screws. Remove the chrome top adaptor from the adaptor base.</p>  |  |
| <p>3. Screw the adaptor base onto the OE gearshift using OE screws.</p>  | <p>4. Slide the chrome top adaptor onto the adaptor base. Tighten the chrome top to the bottom adaptor base with the hex screws.</p>  | |

Gearshift Knob - Vertical Mount

| | |
|--|---|
| <p>1. Remove screws and gearshift knob off OE gearshift. Be careful not to lose any components from the inside of the OE gearshift.</p>  | <p>4. Slide the chrome top adaptor onto the adaptor base. Tighten the chrome top to the bottom adaptor base with the hex screws.</p>  |
| <p>2. Unscrew the hex screw and remove the chrome top adaptor from the adaptor base.</p>  | <p>5. Insert the grip onto the chrome top adaptor and tightly screw in the hex screws.</p>  |
| <p>3. Screw the adaptor base onto the OE gearshift using OE screws.</p>  | |

Gearshift Knob

| | |
|--|---|
| <p>1. Remove screws and gearshift knob off OE gearshift. Be careful not to lose any components from the inside of the OE gearshift.</p>  | <p>4. Slide the chrome top adaptor onto the adaptor base. Tighten the chrome top to the bottom adaptor base with the hex screws.</p>  |
| <p>2. Unscrew the hex screw and remove the chrome top adaptor from the adaptor base.</p>  | <p>5. Insert the grip onto the chrome top adaptor and tightly screw in the hex screws.</p>  |
| <p>3. Screw the adaptor base onto the OE gearshift using OE screws.</p>  | |