







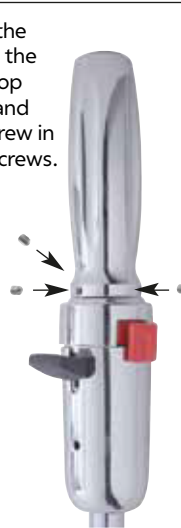



GEARSHIFT KNOB Mounting Instruction





Gearshift Knob - Horizontal Mount

<p>1. Remove screws and gearshift knob off OE gearshift. Be careful not to lose any components from the inside of the OE gearshift.</p> 	<p>2. Unscrew the 2 large vertical mounted hex screws. Remove the chrome top adaptor from the adaptor base.</p> 	 <p>5. Insert the grip onto the chrome top adaptor and tightly screw in the hex screws.</p>
<p>3. Screw the adaptor base onto the OE gearshift using OE screws.</p> 	<p>4. Slide the chrome top adaptor onto the adaptor base. Tighten the chrome top to the bottom adaptor base with the hex screws.</p> 	

Gearshift Knob - Vertical Mount

<p>1. Remove screws and gearshift knob off OE gearshift. Be careful not to lose any components from the inside of the OE gearshift.</p> 	<p>4. Slide the chrome top adaptor onto the adaptor base. Tighten the chrome top to the bottom adaptor base with the hex screws.</p> 
<p>2. Unscrew the hex screw and remove the chrome top adaptor from the adaptor base.</p> 	<p>5. Insert the grip onto the chrome top adaptor and tightly screw in the hex screws.</p> 
<p>3. Screw the adaptor base onto the OE gearshift using OE screws.</p> 	

Gearshift Knob

<p>1. Remove screws and gearshift knob off OE gearshift. Be careful not to lose any components from the inside of the OE gearshift.</p> 	<p>4. Slide the chrome top adaptor onto the adaptor base. Tighten the chrome top to the bottom adaptor base with the hex screws.</p> 
<p>2. Unscrew the hex screw and remove the chrome top adaptor from the adaptor base.</p> 	<p>5. Insert the grip onto the chrome top adaptor and tightly screw in the hex screws.</p> 
<p>3. Screw the adaptor base onto the OE gearshift using OE screws.</p> 