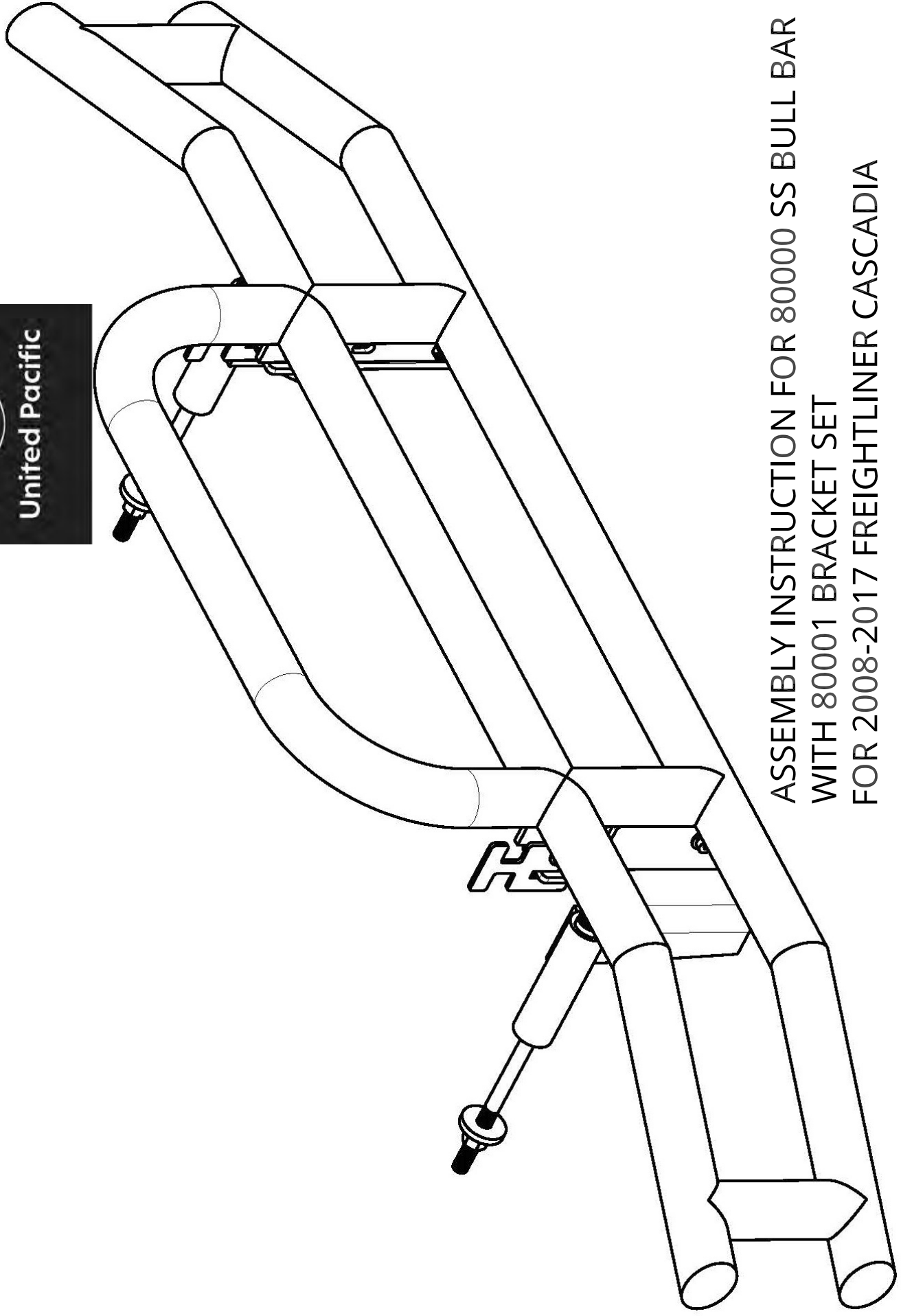


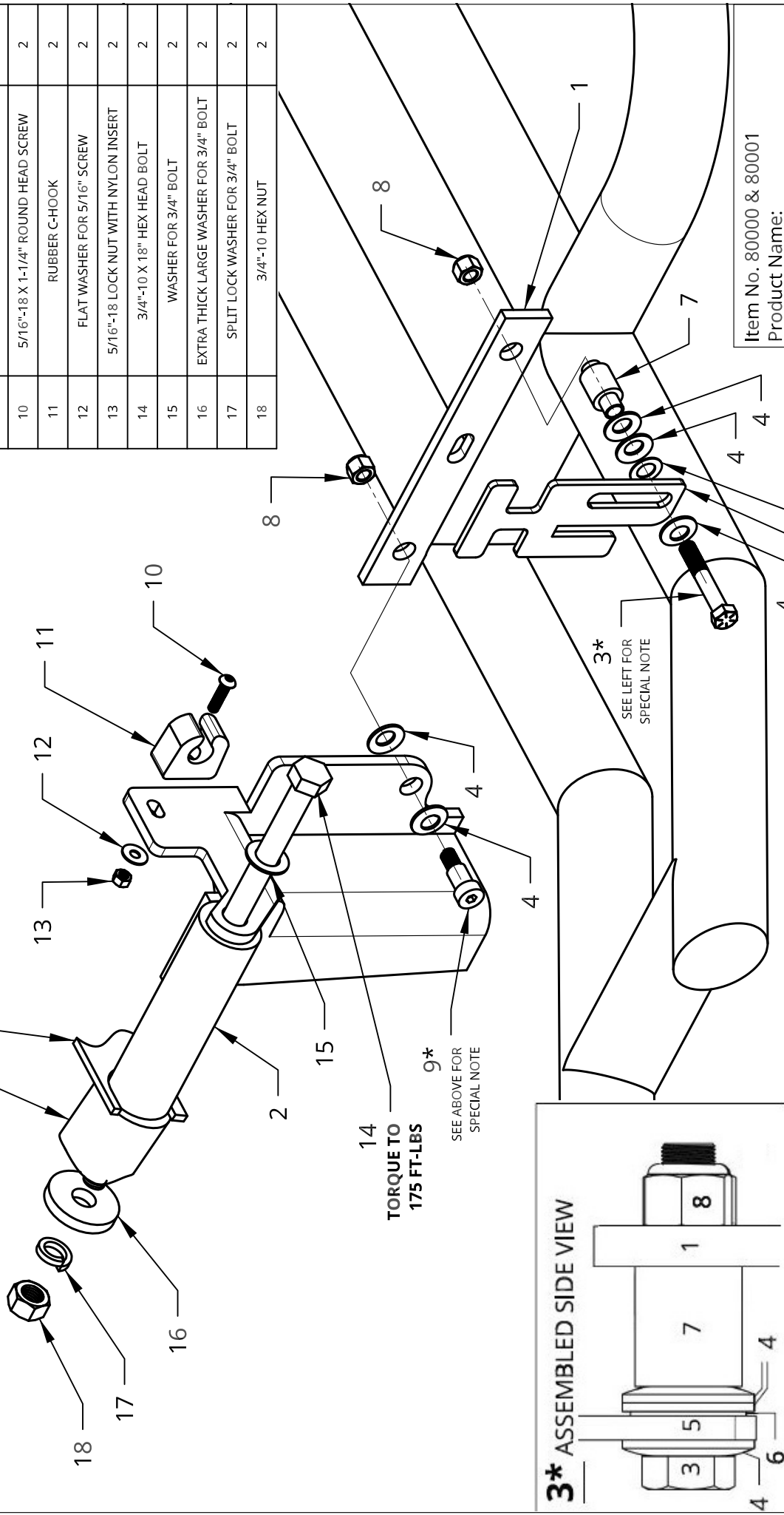
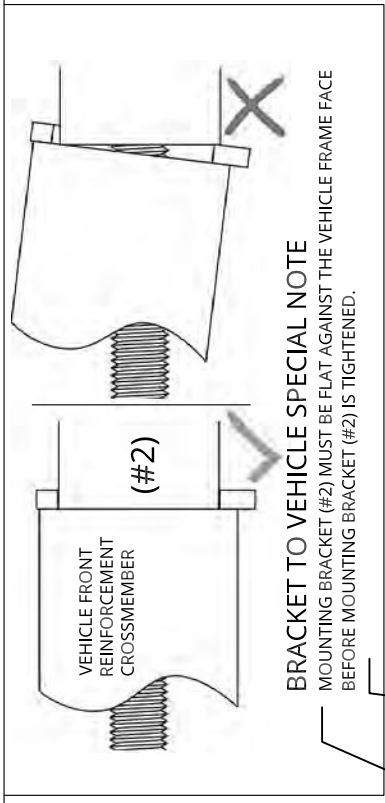


United Pacific



ASSEMBLY INSTRUCTION FOR 80000 SS BULL BAR
WITH 80001 BRACKET SET
FOR 2008-2017 FREIGHTLINER CASCADIA

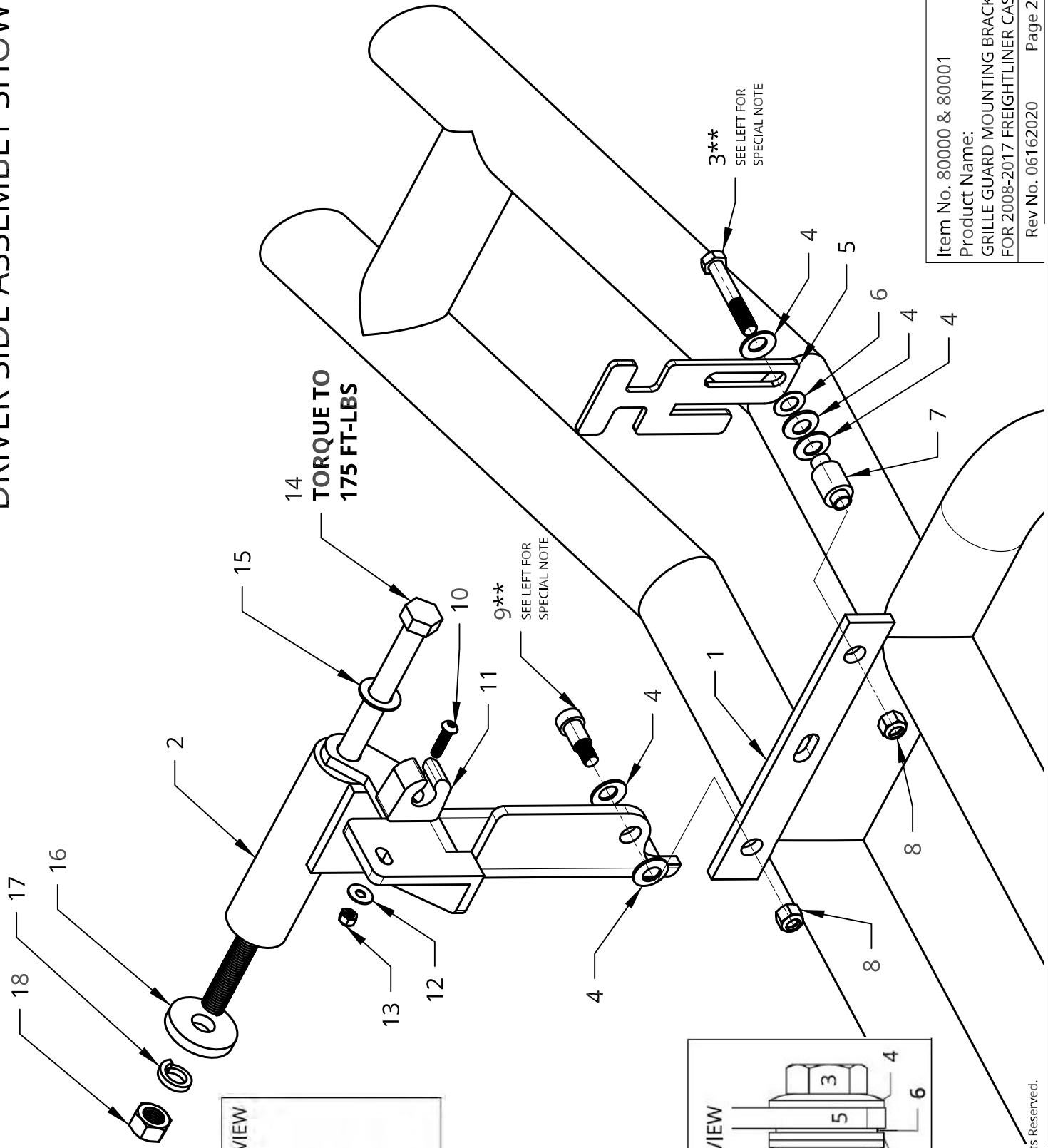
No.	DESCRIPTION	QTY/SET
1	304 SS BULL BAR	1
2	MOUNTING BRACKET (L+R)	1 PR
3	1/2"-13 X 3" HEX HEAD BOLT	2
4	SPRING WASHER	10
5	T-SLIDE KEY	2
6	PLASTIC WASHER	2
7	METAL SLEEVE	2
8	1/2"-13 LOCK NUT WITH NYLON INSERT	4
9	1/2"-13 X 1-5/8" SHOULDER BOLT	2
10	5/16"-18 X 1-1/4" ROUND HEAD SCREW	2
11	RUBBER C-HOOK	2
12	FLAT WASHER FOR 5/16" SCREW	2
13	5/16"-18 LOCK NUT WITH NYLON INSERT	2
14	3/4"-10 X 18" HEX HEAD BOLT	2
15	WASHER FOR 3/4" BOLT	2
16	EXTRA THICK LARGE WASHER FOR 3/4" BOLT	2
17	SPLIT LOCK WASHER FOR 3/4" BOLT	2
18	3/4"-10 HEX NUT	2



Item No. 80000 & 80001
 Product Name:
 GRILLE GUARD MOUNTING BRACKET SET
 FOR 2008-2017 FREIGHTLINER CASCADIA
 Rev No. .06162020 Page 1 of 3

PASSENGER SIDE ASSEMBLY SHOWN

DRIVER SIDE ASSEMBLY SHOWN

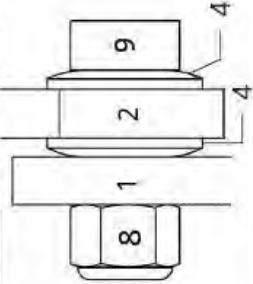


14 TORQUE TO 175 FT-LBS

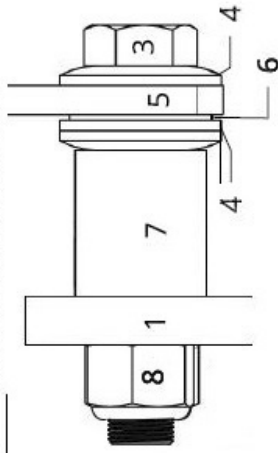
9 SEE LEFT FOR SPECIAL NOTE**

3 SEE LEFT FOR SPECIAL NOTE**

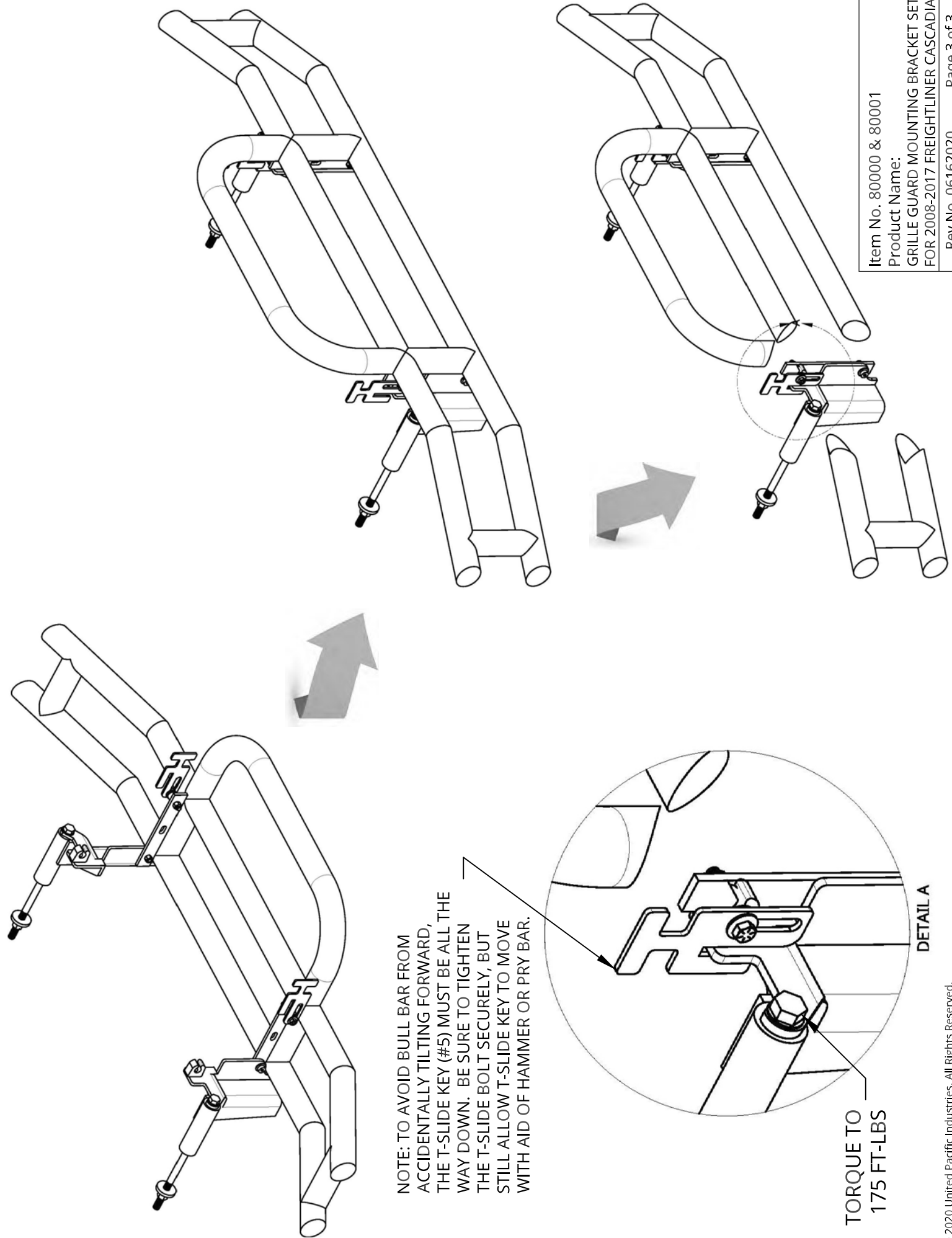
9 ASSEMBLED SIDE VIEW**



3 ASSEMBLED SIDE VIEW**



Item No. 80000 & 80001
 Product Name:
 GRILLE GUARD MOUNTING BRACKET SET
 FOR 2008-2017 FREIGHTLINER CASCADIA
 Rev No. .06162020 Page 2 of 3



NOTE: TO AVOID BULL BAR FROM ACCIDENTALLY TILTING FORWARD, THE T-SLIDE KEY (#5) MUST BE ALL THE WAY DOWN. BE SURE TO TIGHTEN THE T-SLIDE BOLT SECURELY, BUT STILL ALLOW T-SLIDE KEY TO MOVE WITH AID OF HAMMER OR PRY BAR.

TORQUE TO 175 FT-LBS

DETAIL A