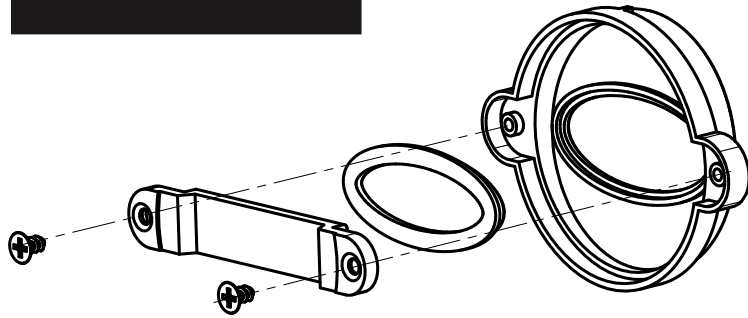
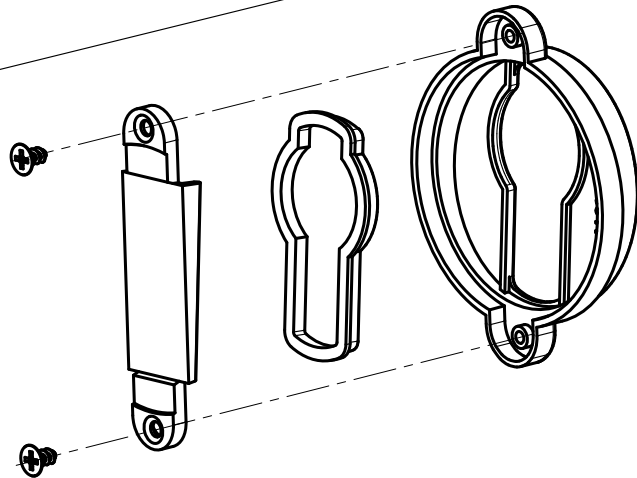




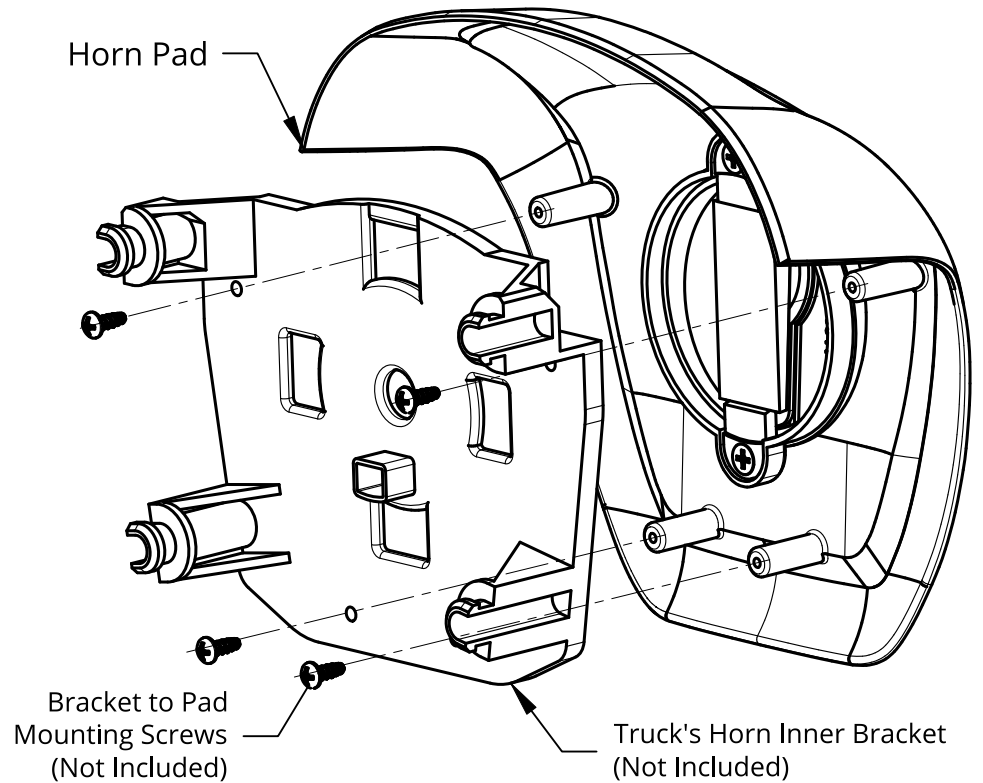
United Pacific



#88036, Peterbilt version horn button



#88041, Kenworth version horn button



INSTALLATION GUIDE

1. Test if the horn is operational, then disconnect vehicle battery.
2. Gently pull up on back edge of the pad to remove.
3. Make note of the horn wire positions, then carefully unplug them.
4. Remove the 4 mounting screws.
5. If OE horn button emblem is desired, please follow the steps below:
 - i. remove the emblem from the original horn pad.
 - ii. remove the 2 screws (D) from the emblem support (C).
 - iii. replace the chrome blank (B) with the OE emblem into the horn button (A).
6. Place the horn button in the center of the horn pad opening.
7. Using the 4 mounting screws, install the horn inner bracket to the horn pad.
8. Reconnect the horn wires.
9. Align the mounting posts on the horn inner bracket to the steering wheel.
10. Gently press down on all four corners until it is fully seated.
11. Reconnect the vehicle battery and test the horn.

NOTE: Not for use on vehicles equipped with air bags.

Item No. 88036, 88041
Product Name: Chrome Horn Pad For
Peterbilt 579 and Kenworth T680

Rev No. 06212022